



ELEGRP OCS is a Occupancy/Vacancy Motion Sensor light switch with PIR infrared motion activated wall switch. No neutral wire is required [grounding wire is required for function]. Single pole for CFL/ LED/ Incandescent Bulb. A wall plate is included. Ultra slim profile, easily fits in electrical box and wall plate.

FEATURES

- * Occupancy / Vacancy
- * Works with 300W LED, 300W CFL and 600W incandescent light bulbs and fixtures
- * Can be used as single-pole or 2 location control.
- * Features multiple setting modes of Automatic or Manual ON/OFF for different usage scenarios at home. (NOT suitable for 3 way circuit)
- * Extremely low standby power consumption. Energy saving and long operating life. Flame resistant material has reached the highest grade of 5VA
- * Automatic ON or manual ON is Optional
- * Automatic Off
- * Adjustable sensitivity from 20% to 100%
- * Adjustable time delay from 15 secinds to 30 minutes
- * Pet immunity (reduces false triggers)

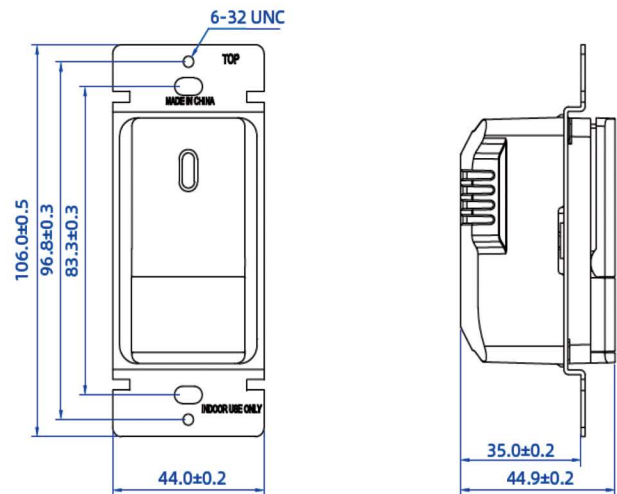
ORDERING INFORMATION

Part #	Load rating	Voltage
ELEGRP-OCS-300W	300W LED, CFL 600W Incandescent	AC 120-277 VAC

WARRANTY & DETAILS

- * UL & CUL listed.
- * Input Rating: 120 - 277V, 60Hz
- * Operating Temperature: 32° F to 104° F (0 °C to 40° C)
- * Wire Gauge: #14 - #12 AWG
- * No power pack required for switching

DIMENSIONS



FEATURES

