



For use with



4ft linear strips, 4ft vapor tights and 4ft wrap light

The BLD-CM20N 8W and 15W are LED emergency drivers designed for LED fixtures such as 4ft linear strips and 4 ft vapor tights. Designed to be mounted remotely or on top of the fixture. Rated to provide a minimum of 90 minutes of emergency illumination. When the AC power goes out, the emergency driver detects the AC power outage and automatically switch to the working emergency mode. When the AC power is restored, it starts re-charging. Great for Schools, hospital, warehouses, parking lots.

FEATURES

- * External LifeP04 battery
- * Battery protections: over charge protection, over discharge protection, short circuit protection
- * The battery meets 500 Cycles of standard CH and standard DCH
- * Universal 100-277V, 50-60 Hz input
- * Test Switch indicator light
- * Output power: 8W: Output current and voltage: 160-300 mA - 25-48 Vdc . 15 W: Output current and voltage: 400-600 mA - 25-48 Vdc
- * 90 Minute minimum emergency operating time over full temperature range
- * 24 Hour maximum battery recharge time

MOUNTING

- * Designed for installation inside of the fixture
- * Can be used in both switched and unswitched fixtures

HOUSING

- * Durable painted steel construction in orange finish

ORDERING INFORMATION

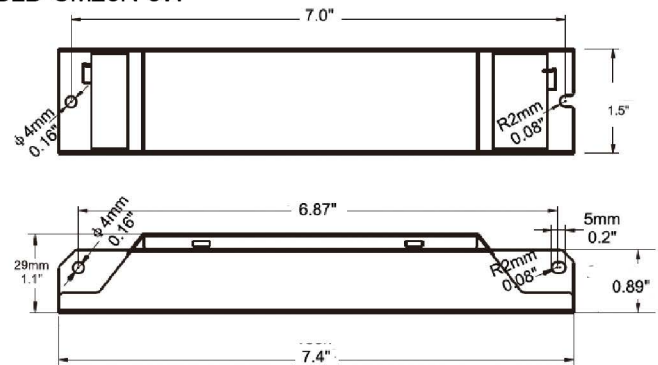
| PART # | Output Voltage (VDC) | Output Power(W) | Output current |
|---------------|----------------------|-----------------|----------------|
| BLD-CM20N-15W | 25-48 | 20 | 400-600 mA |
| BLD-CM20N-8W | 25-48 | 8 | 160-320 mA |

WARRANTY / LISTING

- * Five year warranty on all electronics and housing
- * Meets standard CSA C22.2 No 141, UL924, NFPA 101 Life Safety Code, NEC, /OSHA, Local and State Codes
- * UL listed for factory or field installation
- * Suitable for damp locations (32°F - 122°F)

DIMENSIONS

BLD-CM20N-8W



BLD-CM20N-15W

