



The HPEM series is a thermoplastic emergency lighting unit with built in lithium iron phosphate battery that provides 90 min of illumination during an emergency. This adjustable lamp head provides up to 100 ft center-to-center spacing with a 3-ft path of egress at 7.5 ft mounting height. This light features a low profile, contemporary design with LED economy and dependability. Adjustable heads ensure any application is lit. Standard with 1,162 lumen output (581 per head x 2)

FEATURES

- * High performance chrome plated metallized reflector and plastic lens
- * 1,162 lumens (581 per head x 2) @ 12 watts
- * Universal 120/277 voltage standard.
- * 9.6V long life, maintenance-free, rechargeable lithium iron phosphate battery.
- * 90-minute emergency illumination
- * Fully automatic solid-state, two rate charger initiates battery charging to recharge a discharged battery in 24 hours
- * Unique all-inclusive lamp, reflector and lens assembly.
- * Unique bi-color LED indicator light alerts occupant on battery condition (Green-normal, Red-check battery)
- * Charge rate/power "ON" LED indicator light and push-to-test switch for mandated code compliance testing

HOUSING

- * Injection-molded, engineering grade, 5VA flame retardant, high-impact resistant, white thermoplastic.

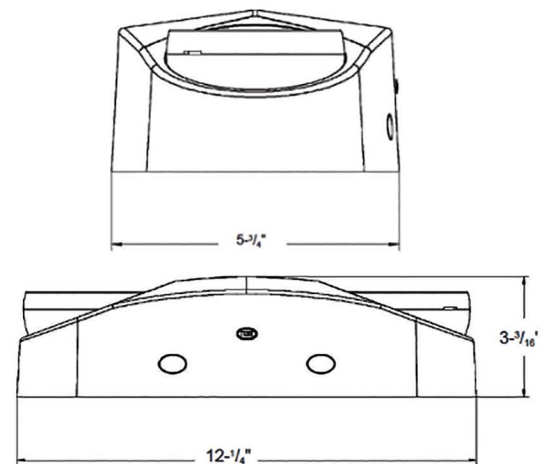
ORDERING INFORMATION

PART #	Housing Color	Wattage	Lumens
HPEM-24W	White	12W per head	1162

WARRANTY / LISTING

- * 5 year warranty on all electronics and housing - battery prorated for 5 years
- * UL Listed for damp locations (-4°F – 122°F).
- * Meets UL924, NFPA 101 Life Safety Code, NEC, OSHA, Local and State Codes.

DIMENSIONS



MOUNTING

- * Universal Knockout pattern on back plate for surface mount.
- * Suitable for wall or ceiling mount
- * Knockout for conduit feed applications

