



The AST-FL06E 30W and 50W CCT are a premium architectural LED lights designed to illuminate parking areas, pathways, building facades, loading docks and a wide variety of other large general site lighting applications. This light is kelvin selectable in 3K, 4K and 5K. A knuckle mount is standard.

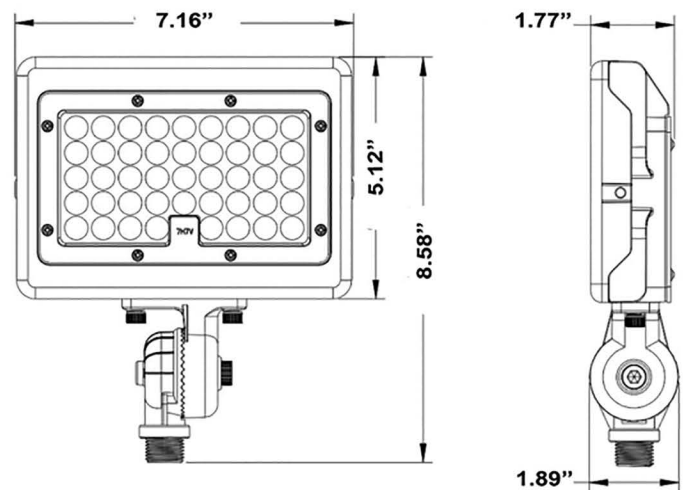
FEATURES

- * **Color temperature:** 3K, 4K & 5K selectable
- * 30W and 50W available
- * NO UV or IR in the beam
- * Universal 120-277 AC voltage (50-60Hz) is standard
- * EPA: 0.42 ft²
- * Power factor > 0.90
- * Total harmonic distortion < 20%
- * Color rendering index > 80
- * Die cast aluminum housing with durable, dark bronze powder coat finish—at least 2 mils thick on all surfaces—and a heat-resistant polycarbonate lens
- * Wireway enclosure is sealed with a water-tight, silicon rubber gasket
- * Easy installation in new construction or retrofit applications

WARRANTY & DETAILS

- * DLC Premium
- * cULus listed for wet locations in ambient temperatures from (-22°F to 113°F)
- * IP65 rated for ingress protection
- * Complies with FCC Part 15, class A
- * 5-year warranty on all electronics and housing

DIMENSIONS



ORDERING INFORMATION

PART #	CCT Color Temp	Wattage	Lumens			Lumens per Watt			Mounting
			30K	40K	50K	30K	40K	50K	
AST-FL06E-30WBH8DA1	30K, 40K, 50K	30	3,900	3,960	4,020	130	132	134	Knuckle
AST-FL06E-50WB8DA1	30K, 40K, 50K	50	6,500	6,650	6,800	130	133	136	

