

The 4' and 8' Linear Strip series is **kelvin and wattage selectable** in 35K, 4K and 5K as well as 25W, 30W and 40W in 4' and 54W, 60W and 65W in 8'. This linear strip light is designed as direct replacements for fluorescent strips. The series is designed to deliver general ambient lighting in a variety of indoor settings, including schools, offices, hospitals and stores, and is the perfect choice for both new construction and retrofits. This high-efficacy light provides long-life and uniform illumination, as well as standard 0-10V dimming capability.

### FEATURES

- \* Kelvin selectable in 35K, 4K & 5K color temperatures
- \* Wattage selectable in 25W, 30W and 40W for the 4' and 54W, 60W and 65W for the 8'
- \* Long-life LEDs provide 75,000 hours of operation with at least 70% of initial lumen output (L70)
- \* Uniform illumination with no visible LED pixilation
- \* Universal 120-277 AC voltage (50-60Hz) is standard
- \* 0-10V dimming capability is standard
- \* Power factor > 0.90
- \* Total harmonic distortion < 20%
- \* Color rendering index > 80
- \* Anti-UV frosted polycarbonate lens
- \* Easy installation in new construction or retrofit as surface mount

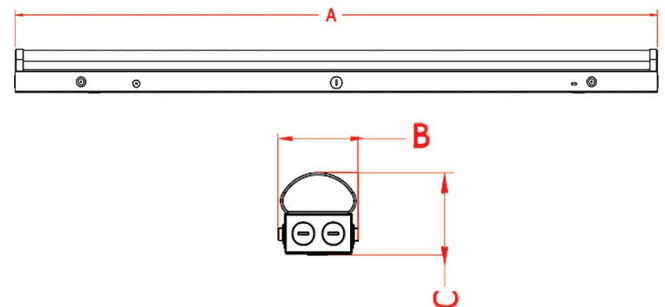
### ORDERING INFORMATION

PART #	COLOR TEMP	LUMENS	LUMENS / WATT	WATTAGE	LENGTH	WIDTH	HEIGHT
GL-ST01-40W-H	35K, 4K, 5K	3750 to 6000	150	25W, 30W, 40W	48"	3.28"	3.28"
GL-ST03-60W-H	35K, 4K, 5K	8100 to 9750	150	54W, 60W, 65W	96"	3.28"	3.28"

### WARRANTY & DETAILS

- \* IP40 rated
- \* DLC premium listed
- \* 5-year warranty on all electronics and housing
- \* Working temperature -22 F to 140 F

### DIMENSIONS



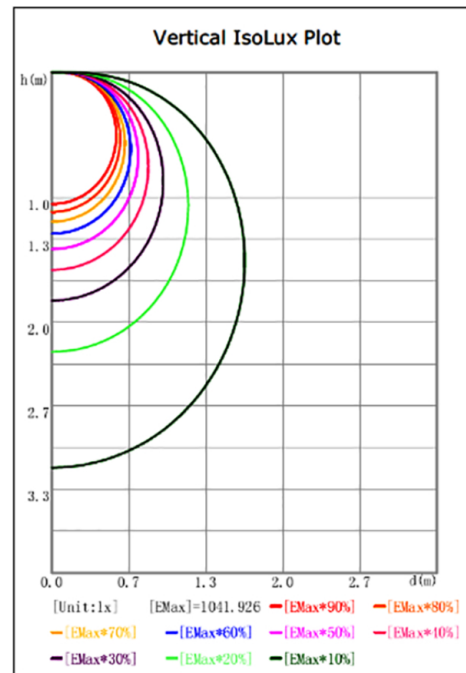
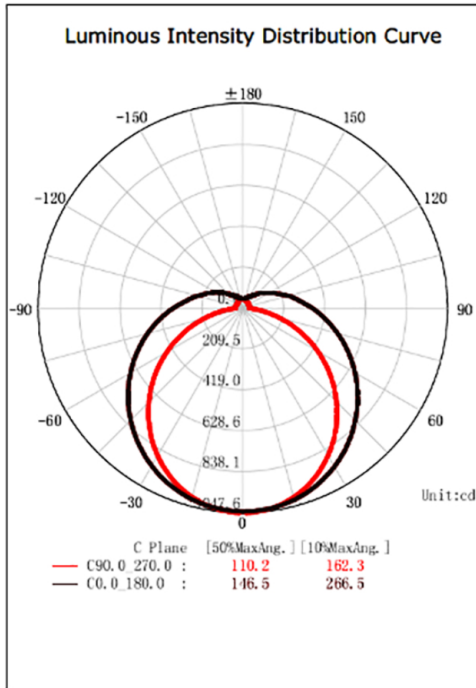
### ACCESSORIES

- \* Occupancy Sensor
- \* GL-ST-CABLEKIT: 2 pack aircraft cable hanging kit
- \* BLD-CM20W: BILLDA 20w emergency back-up
- \* Wire guard: CLL-GL-STWG4 for 4' linear strip.  
Order 2 GL-STWG4 for an 8' Linear strip.



**PHOTOMETRIC DATA**

**4' LINEAR STRIP**



**8' LINEAR STRIP**

