

The straight round steel poles are built from high strength steel tube and are standard side drilled for arm mount and include a tenon mount. Heights of 10 to 30 feet are available..

**Specifications and Features:** Conforms to ASTM-A 500 Grade B: Minimum yield strength of 46,000 PSI.

**Finish:** Textured architectural bronze powder coat finish, baked to ensure maximum paint adhesion, hardness and durability.

**Anchor Bolts:** Anchor bolts are included.

**Hand Hole:** Cast iron reinforced hand hole and cover with ground screw.

**Base Cover:** Poles are provided with a two-piece formed steel base cover that is easily assembled and fitted over pole base.

**Pole Length:** 10, 15, 20, 25 and 30 feet

**MOUNTING OPTIONS**

**SIDE MOUNT:** Standard length poles are predrilled (2@180°), with a polycarbonate top cover and hole plugs for unused predrilled locations.

Note: When using Slip-Fitter Mounts, additional installation parts may be required to ensure proper installation.

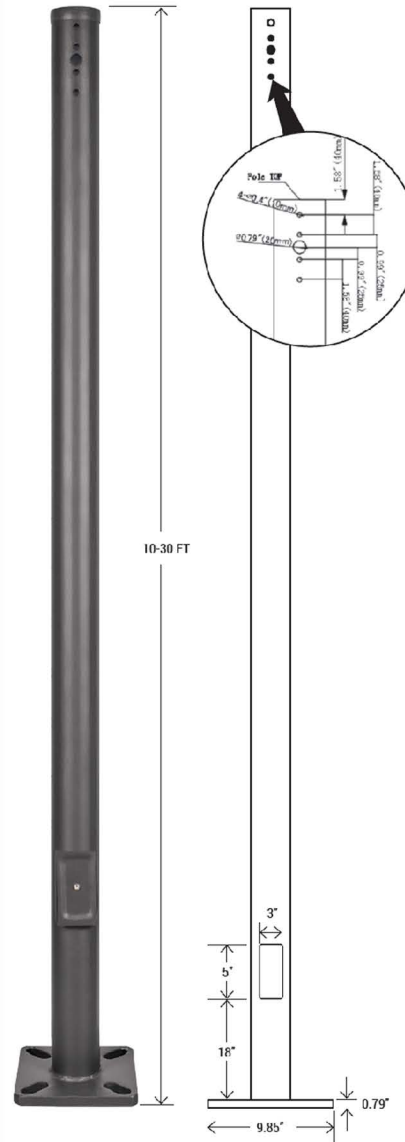
**TOP MOUNT:** Round Pole Tenon Adapters (optional) can be installed for a use with a Slip-Fitter or Multi-Fixture installation requiring Bullhorns, Spokes etc.

(3"RND, 4"RND and 5"RND to 2 3/8" Round Tenon Adapters available)

**WARRANTY**

7-Year warranty

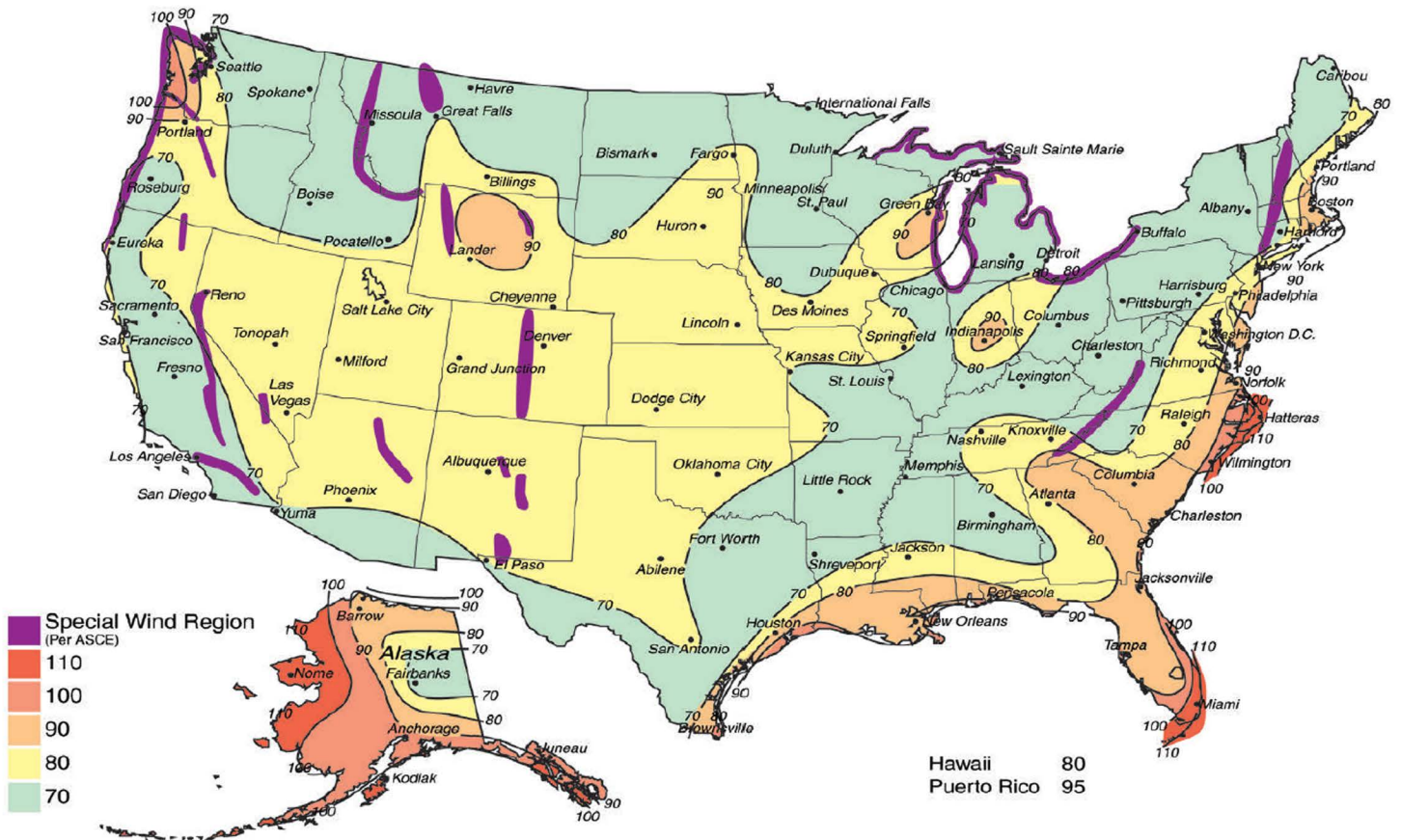
**ORDERING INFORMATION**



Specification type	Height	Wall thickness	Shaft base	Subsurface depth	Size
10FT-11G-D	10 Ft	11 Gauge	4x4 in	3ft	4" x 4"
15FT-11G-D	15 Ft	11 Gauge	4x4 in	3ft	4" x 4"
20FT-11G-D	20 Ft	11 Gauge	4x4 in	5ft	4" x 4"
25FT-11G-D	25 Ft	11 Gauge	4x4 in	5ft	4" x 4"
30FT-11G-D	30 Ft	11 Gauge	5x5 in	5ft	5" x 5"

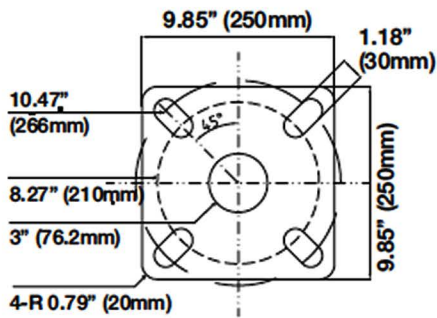
**DIMENSION DATA**

Specification type	Ground height	Pole weight	EPA 70	EPA 80	EPA 90	EPA 100	EPA 120
10FT3-11G-D	10ft	72 LBS	26.2	22.5	20.1	16.4	9.6
15FT4-11G-D	15ft	95 Lbs	17.8	14.6	12.3	10.9	6.4
20FT4-11G-D	20ft	149 Lbs	11.9	9.1	8.8	6.8	3.8
25FT4-11G-D	25ft	176 Lbs	10.9	7.9	6.7	5.3	3.1
30FT5-11G-D	30ft	242 Lbs	8.5	6.6	5.7	4.2	2.1

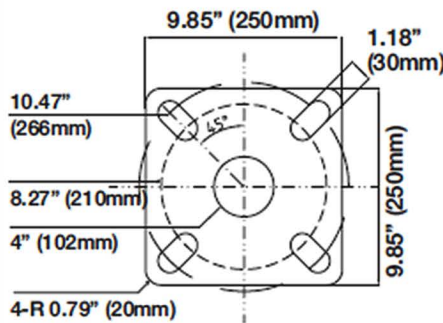


DIMENSION

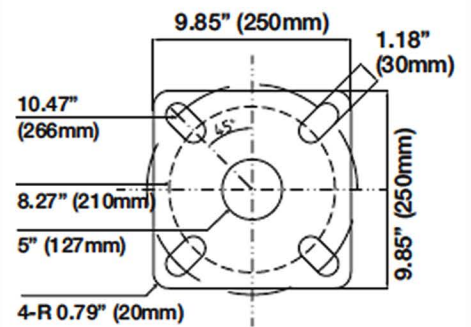
3" Flange



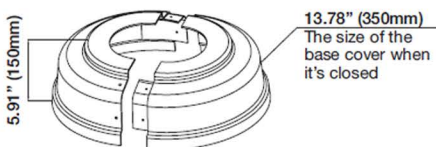
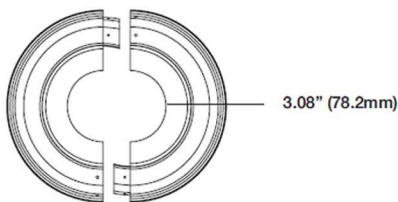
4" Flange



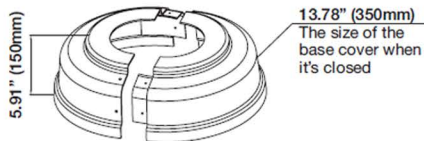
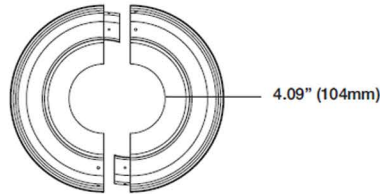
5" Flange



3" Flange  
Base Cover Size



4" Flange  
Base Cover Size



5" Flange  
Base Cover Size

