

The direct burial straight round steel poles are built from high strength steel tube and are standard side drilled for arm mount and include a tenon mount. Heights of 10 to 20 feet are available..

**Specifications and Features:** Conforms to ASTM-A 500 Grade B: Minimum yield strength of 46,000 PSI.

**Finish:** Textured architectural bronze powder coat finish, baked to ensure maximum paint adhesion, hardness and durability.

**Surface treatment:** Hot dip galvanizing

**Pole Length:** 10, 15, 20 feet

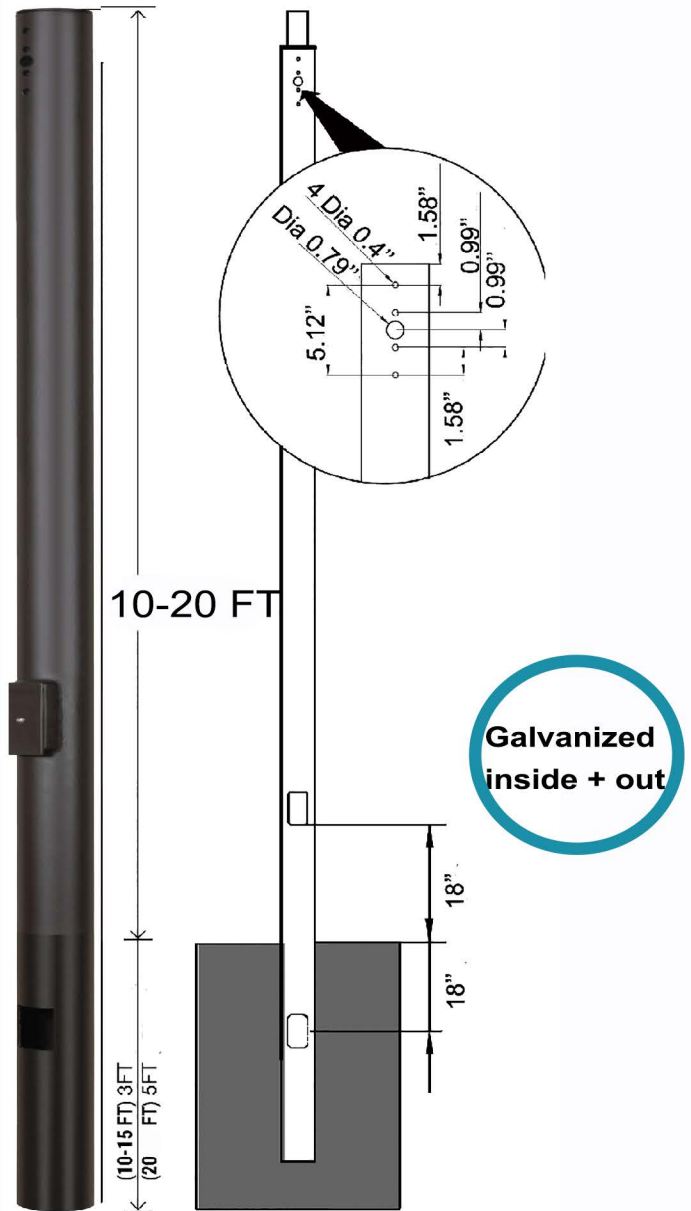
**MOUNTING OPTIONS**

**Note:** Designed for direct mount arm

**TOP MOUNT:** Remove rain cap and purchase VT4 (sold separately)

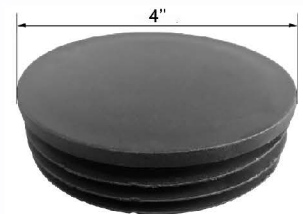
**WARRANTY**

7-Year warranty

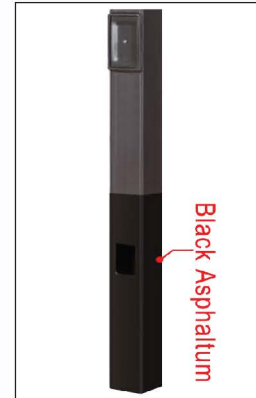


**ORDERING INFORMATION**

Specification type	Height	Wall thickness	Shaft base	Subsurface depth	Size
RDB10FT-11G-D	10 Ft	11 Gauge	4 in	3ft	4" x 4"
RDB15FT-11G-D	15 Ft	11 Gauge	4 in	3ft	4" x 4"
RDB20FT-11G-D	20 Ft	11 Gauge	4 in	5ft	4" x 4"



**BLACK ASPHALTUM:** Black Asphaltum is an economical, highly protective, acid and alkali-resistant coating designed for Direct burial Light Pole use. This protective coating is applied on either galvanized or powder-coated products to add a supplemental layer of corrosion protection. This combination of galvanizing and/or powder coating coupled with black Asphaltum provides the best below-grade corrosion resistance in the Light Pole industry.

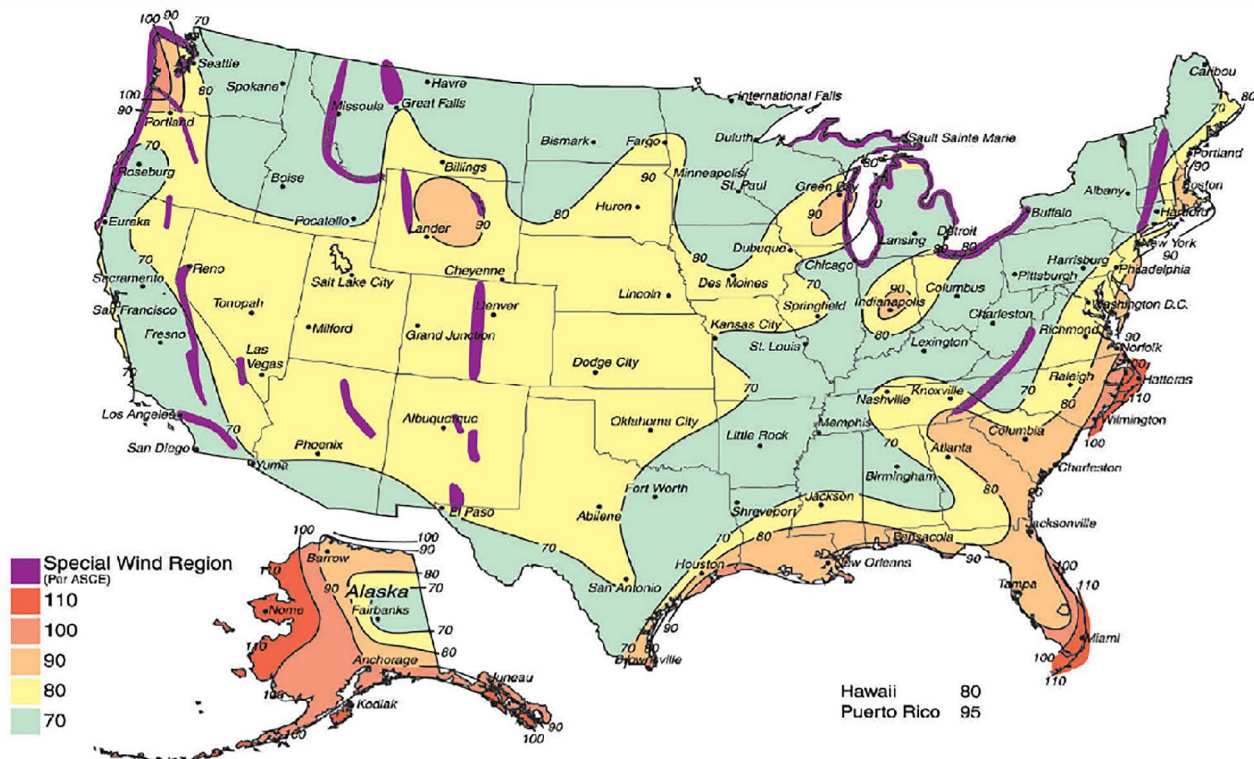


**ADVANTAGE:**

- Rust proofing properties
- Superior resistance to acids and alkali
- Outstanding adhesion and wear resistance

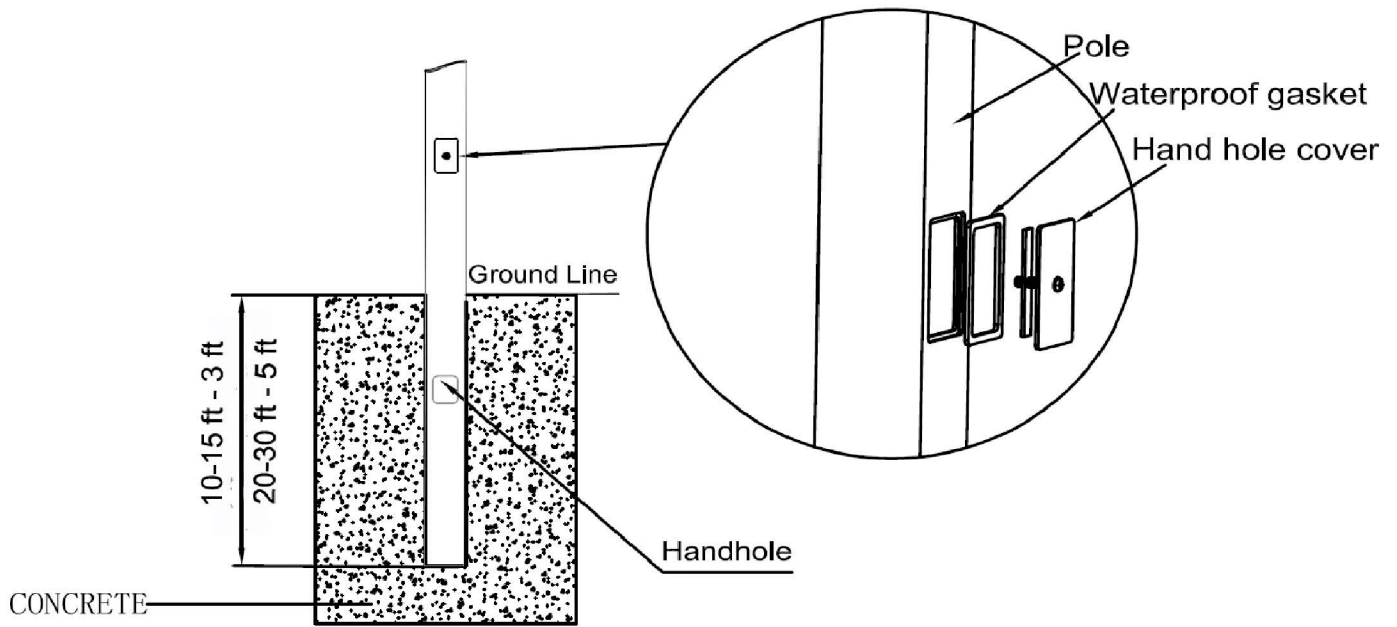
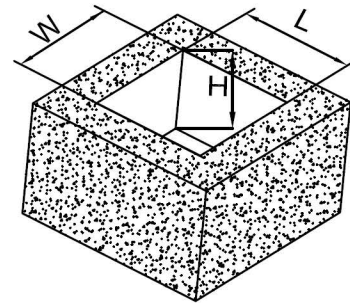
**MOUNTING OPTIONS**

Specification type	Ground height	Pole weight	EPA 70	EPA 80	EPA 90	EPA 100	EPA 110	EPA 120	EPA 130	EPA 140
RDB10FT-11G-D	10ft	75 LBS	28.2	23.5	20.3	19.4	17.3	15.6	12.3	9.8
RDB15FT-11G-D	15ft	99 Lbs	18.2	15.5	13.1	11.5	9.9	7.4	5.2	3.8
RDB20FT-11G-D	20ft	132 Lbs	12.2	10.3	8.8	7.2	6.1	4.6	2.2	1



**INSTALLATION GUIDE**

Step1 : After digging the corresponding size foundation hole by pressing the table at the location of the light pole installation, put the embedded end of the light pole into the hole, and keep it perpendicular to the ground, and fix it with concrete casting



Specifications	L	W	H
10-15 FT	23.62"	23.62"	43.3"
20-30 FT	27.56"	27.56"	67"