

The straight square steel poles are built from high strength steel tube and are standard side drilled for arm mount and include a tenon mount. Heights of 10 to 30 feet are available..

Specifications and Features: Conforms to ASTM-A 500 Grade B: Minimum yield strength of 46,000 PSI.

Finish: Textured architectural bronze powder coat finish, baked to ensure maximum paint adhesion, hardness and durability.

Anchor Bolts: Anchor bolts are included.

Hand Hole: Cast iron reinforced hand hole and cover with ground screw.

Base Cover: Poles are provided with a two-piece formed steel base cover that is easily assembled and fitted over pole base.

Pole Length: 10, 15, 20, 25 and 30 feet

MOUNTING OPTIONS

Standard length poles include 2 3/8" OD tenon, side drilled 4@90 degrees and hole plugs for unused drilling locations.

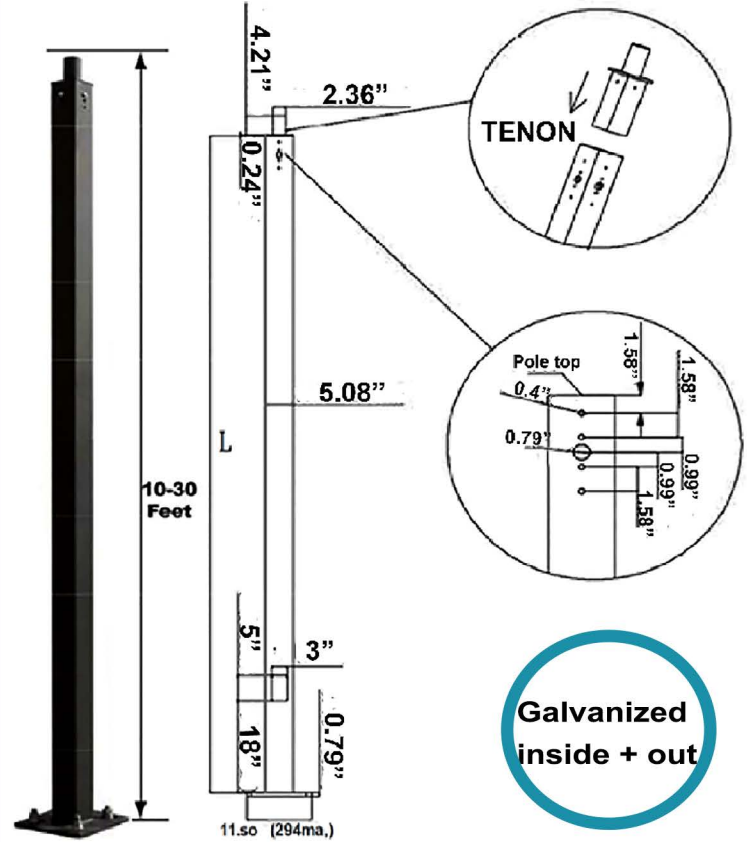
Our standard equipment includes a top adapter with 2 3/8" tenon. There is no opening on the top of the light pole. If ARM installation is needed, the top adapter shall be removed and holes shall be opened on the wall of the light pole. Finally, seal the top with a plastic rain cover. Plastic rain cover sold separately in a 4" or 5"

WARRANTY

7-Year warranty

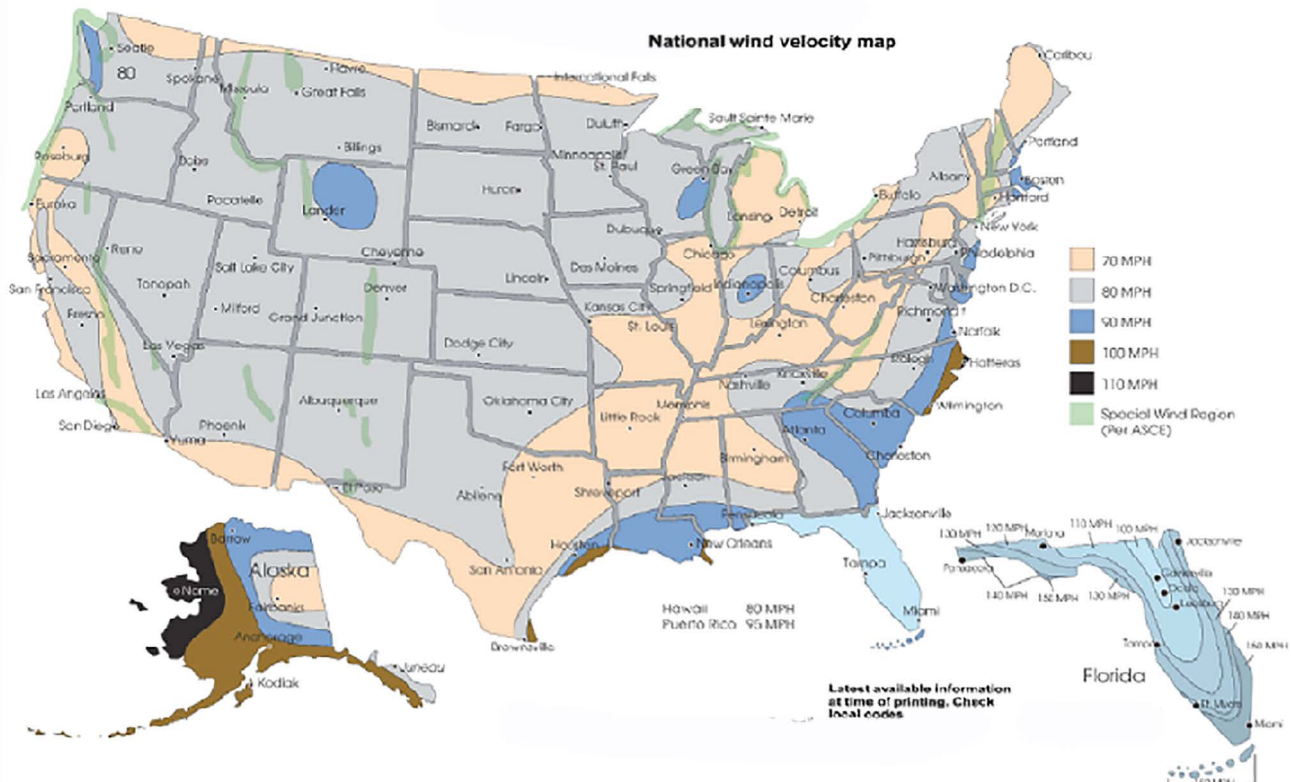
ORDERING INFORMATION

Specification type	Height	Wall thickness	Shaft base	Base size	Bold circle	Bolt projection
DTH-10FT4-11G-D-T	10 Ft	11 Gauge	4x4 in	11 in	8-11 in	2.75 in
DTH-15FT4-11G-D-T	15 Ft	11 Gauge	4x4 in	11 in	8-11 in	2.75 in
DTH-20FT4-11G-D-T	20 Ft	11 Gauge	4x4 in	11 in	8-11 in	2.75 in
DTH-25FT4-11G-D-T	25 Ft	11 Gauge	4x4 in	11 in	8-11 in	2.75 in
DTH-30FT5-11G-D-T	30 Ft	11 Gauge	5x5 in	11 in	8-11 in	2.75 in

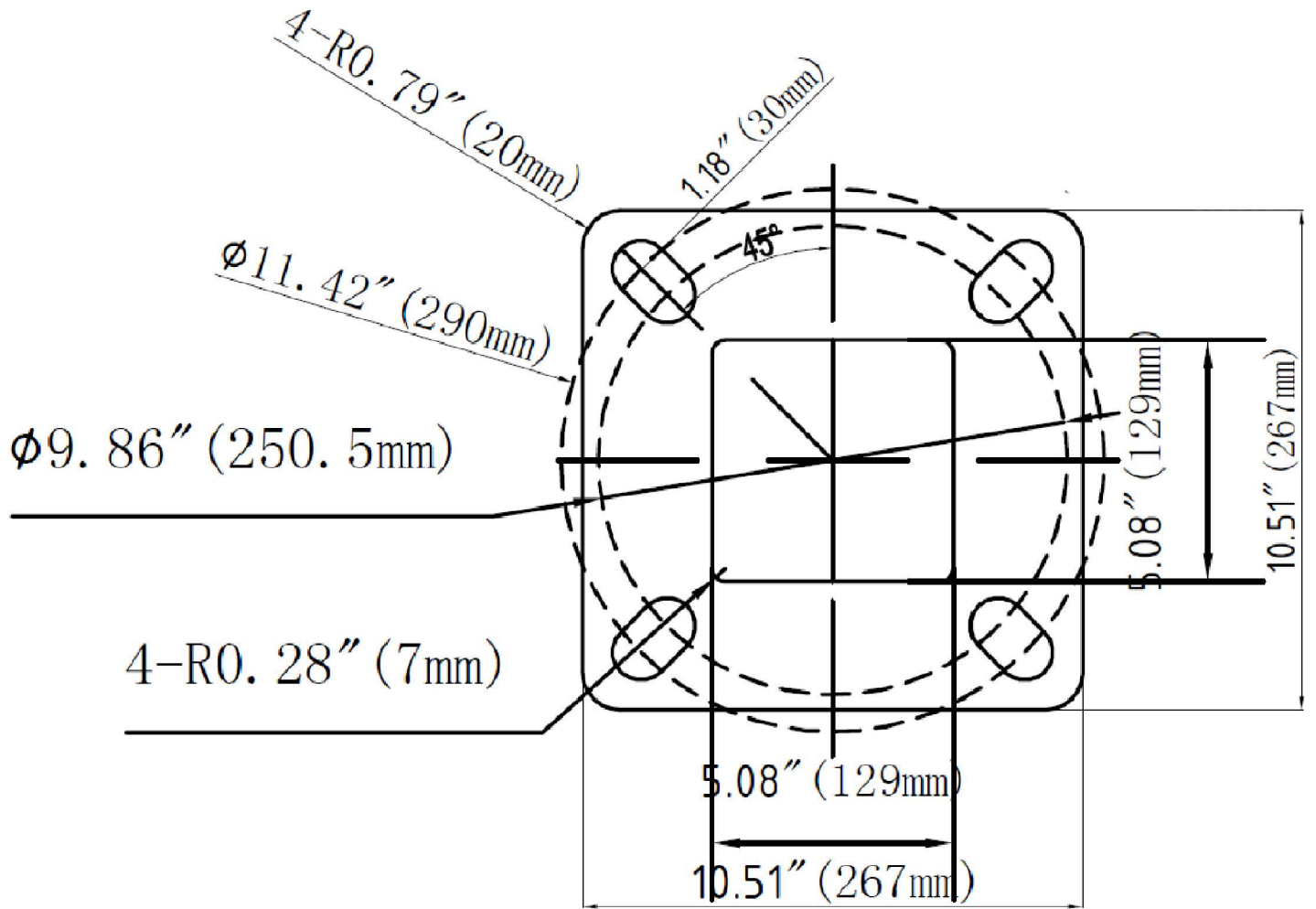


Dimension data:

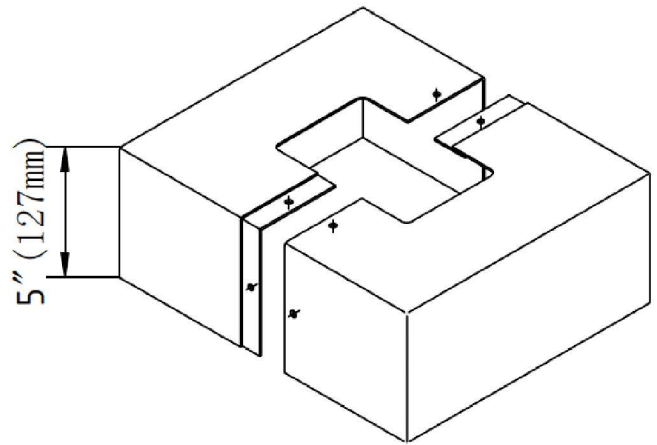
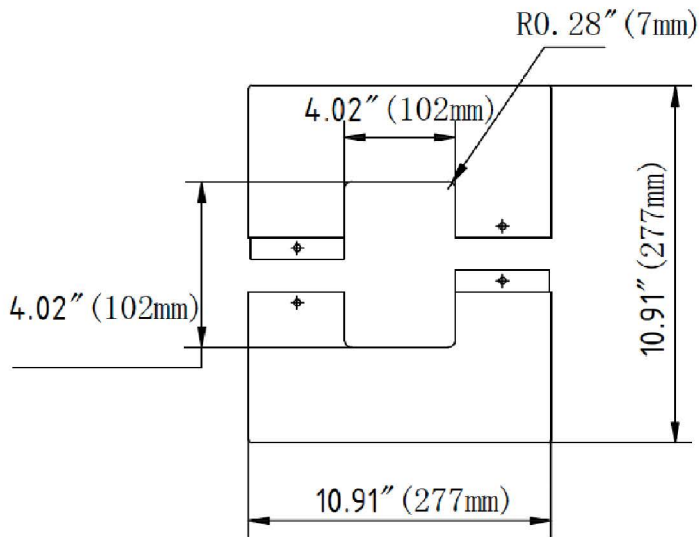
Specification type	Bolt size	Pole weight	EPA 70	EPA 80	EPA 90	EPA100	EPA110	EPA 120
DTH-10FT4-11G-D-T	3/4x17x3in	88 lbs	25.2	20.5	17.1	11.4	10.3	9.6
DTH-15FT4-11G-D-T	3/4x17x3in	117 Lbs	15.2	12.5	10.1	8.5	6.9	5.4
DTH-20FT4-11G-D-T	3/4x17x3in	152 Lbs	9.2	7.3	6	4.2	3	1.6
DTH-25FT4-11G-D-T	3/4x17x3in	190 Lbs	8.9	6.9	5.7	4.1	3.6	2.2
DTH-30FT5-11G-D-T	3/4x17x3in	267 Lbs	7.2	5.4	4.1	3.8	2.8	1.2



5" bolt pattern for shoebox area lights



4" Flange base cover size



5" Flange base cover size

