

The PMPF straight square steel poles are built from high strength steel tube.

**Specifications and Features:**

**Finish:** Textured architectural bronze powder coat finish, baked to ensure maximum paint adhesion, hardness and durability.

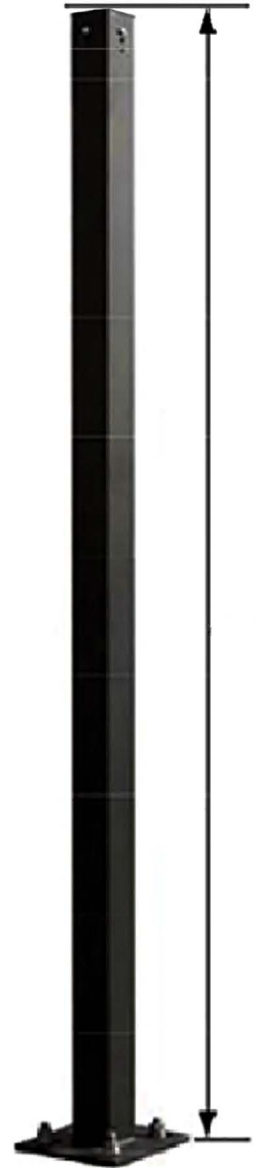
**Anchor Bolts:** Anchor bolts and template are included.

**Hand Hole:** Cast iron reinforced hand hole and cover with grounding screw.

**Pole Length:** 20, 25 and 30 feet



**Available in  
20,25,30 feet**



**MOUNTING OPTIONS**

Standard length poles include rubber fitted pole cap, side drilled 4@90 degrees and hole plugs for unused drilling locations.

Our standard equipment includes a pole cap / plastic rain cover

If tenon installation is needed, VT4 and VT5 tenon adapters available (sold separately)

**WARRANTY**

7-Year warranty

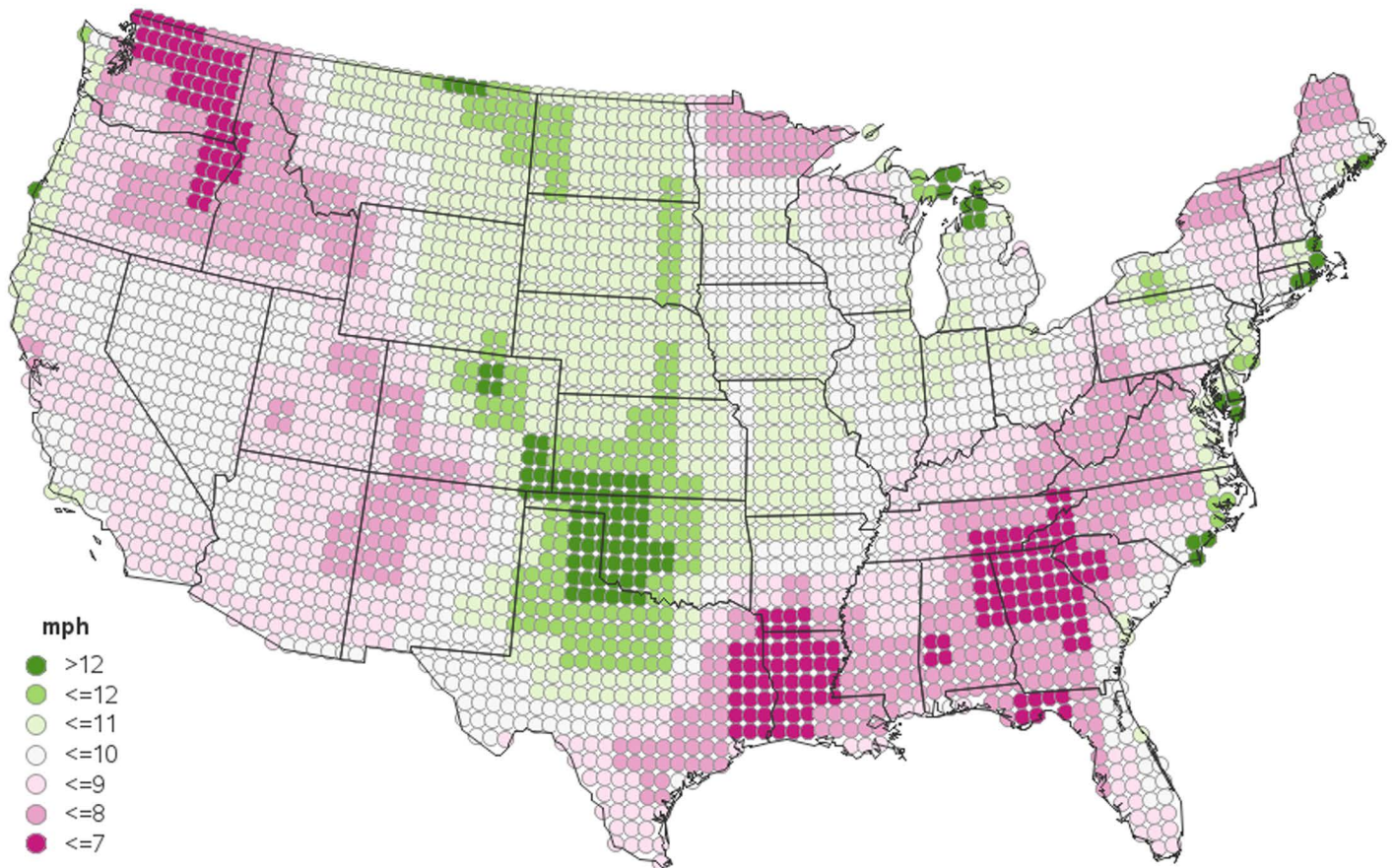
**ORDERING INFORMATION**

ITEM #	Height	Wall thickness	Shaft base
PMPF-20FT4-11GA-BNZ	20 Ft	11 gauge	4x4 in
PMPF-25FT4-11GA-BNZ	25 Ft	11 gauge	4x4 in
PMPF-30FT5-11GA-BNZ	30 Ft	11 gauge	5x5 in

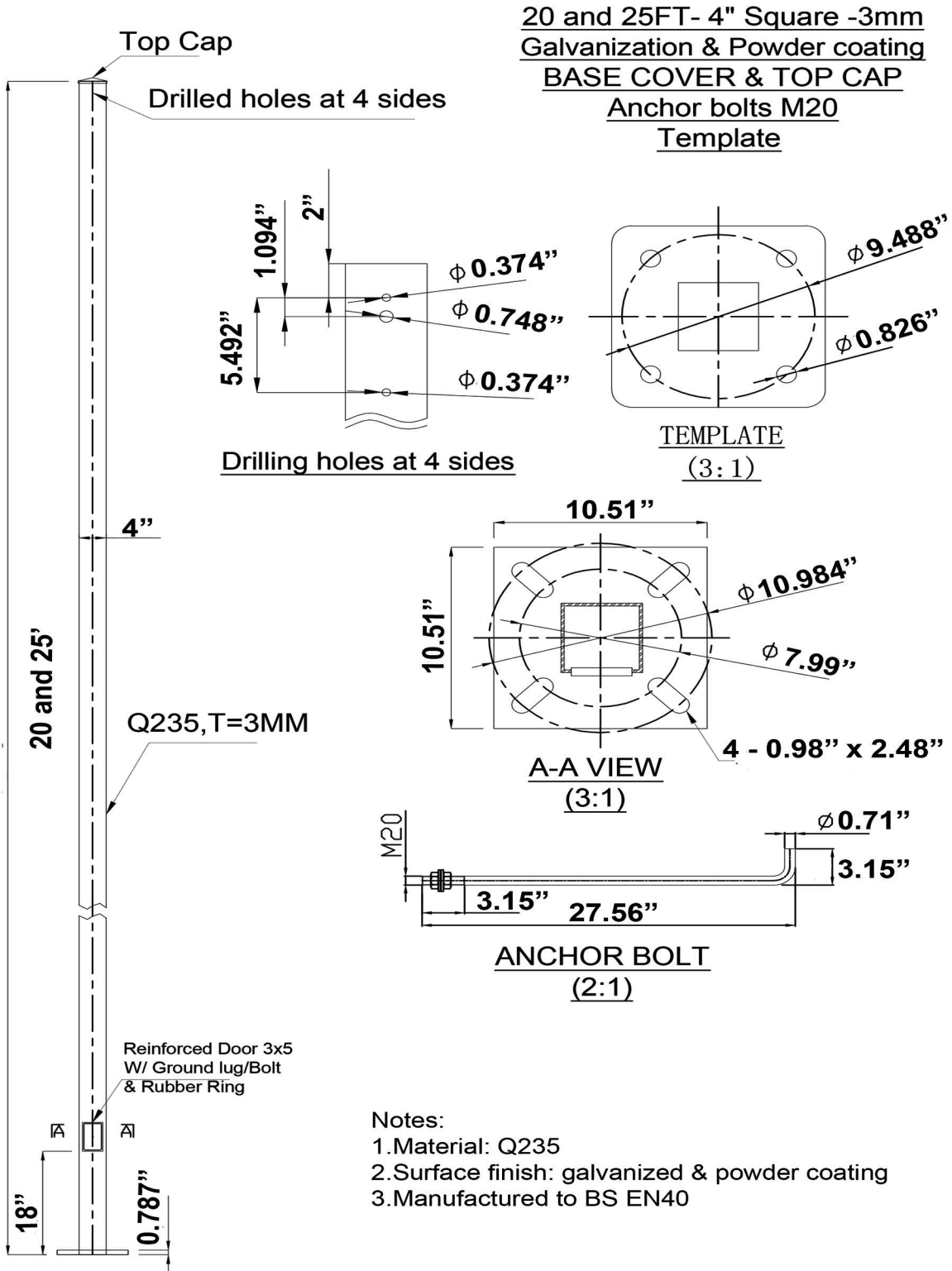
**EPA DATA**

ITEM #	Max Loading Capacities ( 1.3 Gust Factor )					
	80 (mph)		90 (mph)		100 (mph)	
	EPA (ft2)	Wt. (lbs)	EPA (ft2)	Wt. (lbs)	EPA (ft2)	Wt. (lbs)
PMPF-20FT4-11GA-BNZ	9.8	245	7.3	182	5.3	132
PMPF-25FT4-11GA-BNZ	5.8	145	3.4	85	1.8	45
PMPF-30FT5-11GA-BNZ	6.1	152	2.4	60	-	-

**U.S. Average Wind Speed Map**



20 Ft and 25 FT DIMENSIONS





30 FT DIMENSIONS

