



### APPLICATIONS

The MJ-10 series is a thermoplastic emergency lighting unit with built in Nicad battery that provides 90 min of illumination during an emergency. This "Bug light" features a low profile, contemporary design with LED economy and dependability. Fully adjustable heads ensure any application is lit.

### FEATURES

- \* 12 SMD 2835 led per lamp head
- \* Adjustable long lasting, efficient, ultra bright white LED lamp heads.
- \* Dual 120/277 voltage standard.
- \* 3.7V 700 mA H long life, maintenance-free, rechargeable Ni-Cd battery.
- \* Internal solid-state transfer switch automatically connects the internal battery to LED lamp heads for minimum
- \* 90-minute emergency illumination.
- \* Fully automatic solid-state, two rate charger initiates battery charging to recharge a discharged battery in 24 hours.

### MOUNTING

- \* *Universal Knockout pattern on back plate for surface mount. Snaps into place making internal electrical connections*
- \* *Suitable for wall or ceiling mount*
- \* *Knockout for conduit applications*

### ORDERING INFORMATION

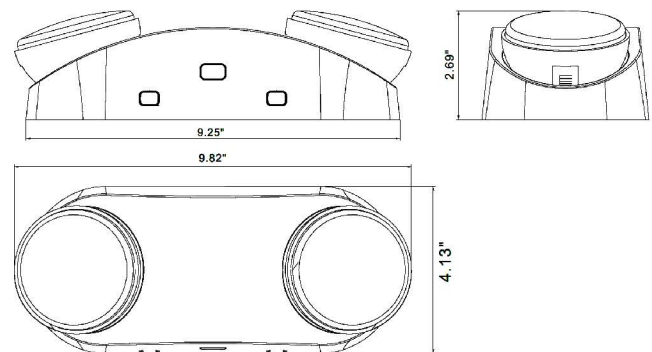
PART #	Housing Color	Led
MJ-10	White	0.5W per head

Specifications and dimensions subject to change without notice  
**PRO SOURCE LED LLC** - 1400 E. I-30 Rockwall, TX 75087 -  
 sales@prosourceled.com - 214-234-8852 - prosourceled.com

### WARRANTY / LISTING

- \* Two year warranty on battery - 5 years on electronics and housing.
- \* UL Listed for damp locations (-4°F – 122°F).
- \* Meets UL924, NFPA 101 Life Safety Code, NEC, OSHA, Local and State Codes.

### DIMENSIONS



### HOUSING

- \* Injection-molded, engineering grade, 5VA flame retardant, high-impact resistant, white thermoplastic.

