



In case of failure in the normal power supply, the emergency batteries model EMUFO-40170-YY provide emergency energy to the LED fixture for a minimum period of 90 minutes. The power provided to the LED Driver is 40W. A solid state-low voltage circuit protects the battery from severe damage due to strong electric discharges and during long-lasting energy failures. When normal power supply gets reestablished, the emergency battery turns automatically into charging mode. The batteries capacity reestablishes completely in 24 hours. The integrated auto diagnosis circuit will perform monthly tests of 30 seconds and 90-seconds annually tests with the purpose to verify the charging hold-time capacity of the emergency battery.

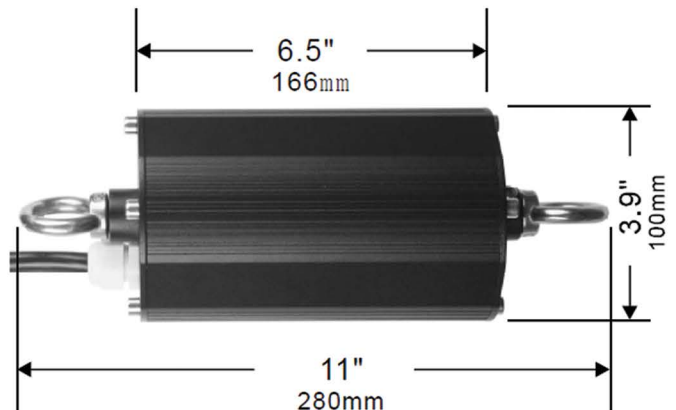
FEATURES

- * High output voltage
- * Low energy consumption
- * CEC compliance Constant output power
- * Self-testing
- * Battery:over temperature protection
- * Remote control testing (Optional) distance at 98ft
- * *Input Voltage:100~347Vac, 50/60Hz*
- * *Input Current:200mA max.*
- * *Input Power Rating:10W*
- * *Recharge Time:24Hrs*
- * *Output Voltage:170Vdc*
- * *Emergency Power:40W*
- * *Discharge Time:1.5H*
- * *Battery:Ni-MH or Li-ion*
- * *Weight:7.3 lbs(3.3kg)*

WARRANTY & DETAILS

- * UL Listed for US and CANADA
- * Listed to UL924 and tested to CSA C22.2
- * Integrated Waterproof Test Switch
- * Ambient Temp:41~122°F(5~50°C)
- * Damp Location Rated
- * For Field Installation
- * 5-year Limited Warranty

DIMENSIONS



ORDERING INFORMATION

PART #	OUTPUT VOLTAGE	OUTPUT POWER
EMUFO-40170-YY	170V	40W