



ELEGRP-TRIAC-DIMMER is a 120V inline triac dimmer wall switch. No neutral wire is required [grounding wire is required for function]. Single pole or 3-way for CFL/ LED/ Incandescent Bulb. A wall plate is included. Ultra slim profile, easily fits in electrical box and wall plate.

FEATURES

- * Adjustable initial brightness setting for different type of lights
- * Compatible with 99% of light bulbs and fixtures
- * Can be used in single-pole or 3-Way applications, where lights are controlled from one or two locations. Use only one dimmer in a 3-or-4-way circuit. The other 3-or-4-way switch(es) will turn the light on at the brightness level selected at the dimmer
- * Energy savings & long operating life
- * 3 modes: 1: Adjust by 5% - 2: Adjust by 25% - 3: Adjust to initial brightness



Incandescent Lamp
600W / 120V



CFL Lamp
300W / 120V

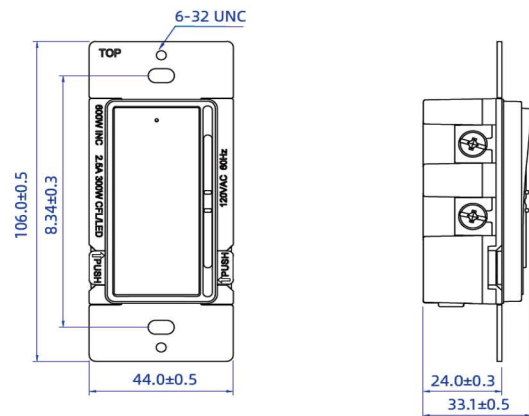


Dimmable LED Lamp
300W / 120V

WARRANTY & DETAILS

- * UL & CUL listed.
- * Input Rating: 120V ,60Hz
- * Operating Temperature: -4° F to 104° F (-20° C to 40° C)
- * 1 year warranty

DIMENSIONS



ORDERING INFORMATION

Part #	Load rating	Voltage
ELEGRP-TRIAC-DIMMER-WALL	300W LED, CFL 600W Incandescent	AC 120-60Hz