



The MJ-01 series is a thermoplastic emergency lighting unit with built in Nicad battery that provides 90 min of illumination during an emergency. This “Bug Eyes” features a low profile, contemporary design with LED economy and dependability. Fully adjustable heads ensure any application is lit.

FEATURES

- * Long lasting, efficient ultra bright white LED lamp heads.
- * 24 SMD 2835 LEDs per head
- * High performance chrome-plated metallized reflector and plastic lens for optimal light distribution
- * Adjustable LED lamp heads provides optimal center-to-center spacing
- * Dual 120/277 voltage
- * Charge rate/power “ON” LED indicator light and push-to-test switch for mandated code compliance testing
- * 6V 700 mAH long life, maintenance-free, rechargeable NiCd battery
- * Internal solid-state transfer switch automatically connects the internal battery to LED board for minimum 90-minute emergency illumination
- * Fully automatic solid-state charger initiates battery charging to recharge a discharged battery in 24 hours

MOUNTING

- * Universal Knockout pattern on back plate for surface mount. Snaps into place making internal electrical connections
- * Suitable for wall or ceiling mount
- * Knockout for conduit applications

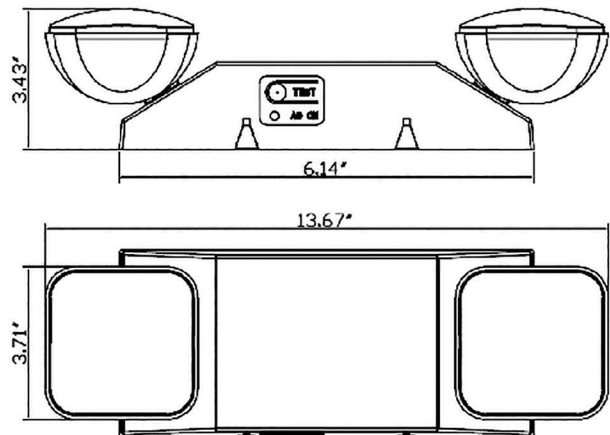
ORDERING INFORMATION

PART #	Housing Color		LED
MJ-01	W	White	1 W per head

WARRANTY / LISTING

- * Five year warranty on all electronics and housing. Two year warranty on battery
- * Meets UL924, NFPA 101 Life Safety Code, NEC, OSHA, Local and State Codes
- * UL Listed for damp locations (32°F – 104°C)

DIMENSIONS



HOUSING

- * Injection-molded, engineering grade, 5VA flame retardant, high-impact resistant, thermoplastic in white finish

