



The MJ-22 series combines LED exit illumination with reliable LED emergency lamp heads capable of lighting egress for minimum of 90 min. This attractive low-profile design offers maintenance-free, long life, dependable service. The universal mount covers a wide range of applications such as above doors and areas with restricted space.

### FEATURES

- \* Long lasting, efficient ultra bright white LED lamp heads
- \* 12SMD 2825 LED per head
- \* High performance chrome-plated metallized reflector and plastic lens for optimal light distribution
- \* Adjustable LED lamp heads provides optimal center-to-center spacing
- \* Long life, energy efficient Red LED EXIT sign illumination
- \* Dual 120/277 voltage
- \* Charge rate/power "ON" LED indicator light and push-to-test switch for mandated code compliance testing
- \* 3.6V 700 m AH long life, maintenance-free, rechargeable NiCd battery
- \* Internal solid-state transfer switch automatically connects the internal battery to LED board for minimum 90-minute emergency illumination
- \* Fully automatic solid-state, two rate charger initiates battery charging to recharge a discharged battery in 24 hours

### ORDERING INFORMATION

PART #		Letter Color		Housing Color		Feature
MJ-22	Universal Single	R	Red	W	White	
CEU3RWRC-V2	Universal Single	R	Red	W	White	Remote capable to up to 3W

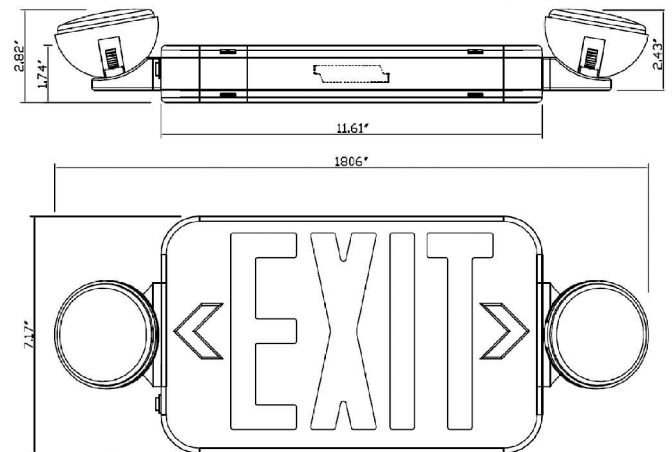
### WARRANTY / LISTING

- \* Five year warranty on all electronics and housing.
- \* Two year warranty on battery
- \* Meets UL924, NFPA 101 Life Safety Code, NEC, OSHA, Local and State Codes
- \* UL Listed for damp locations (32°F – 122°C)

### MOUNTING

- \* Universal J-box mounting pattern
- \* Universal knockout pattern on back plate for wall mount

### DIMENSIONS



### HOUSING

- \* Injection-molded, engineering grade, 5VA flame retardant, high-impact resistant, thermoplastic in white finish.

