

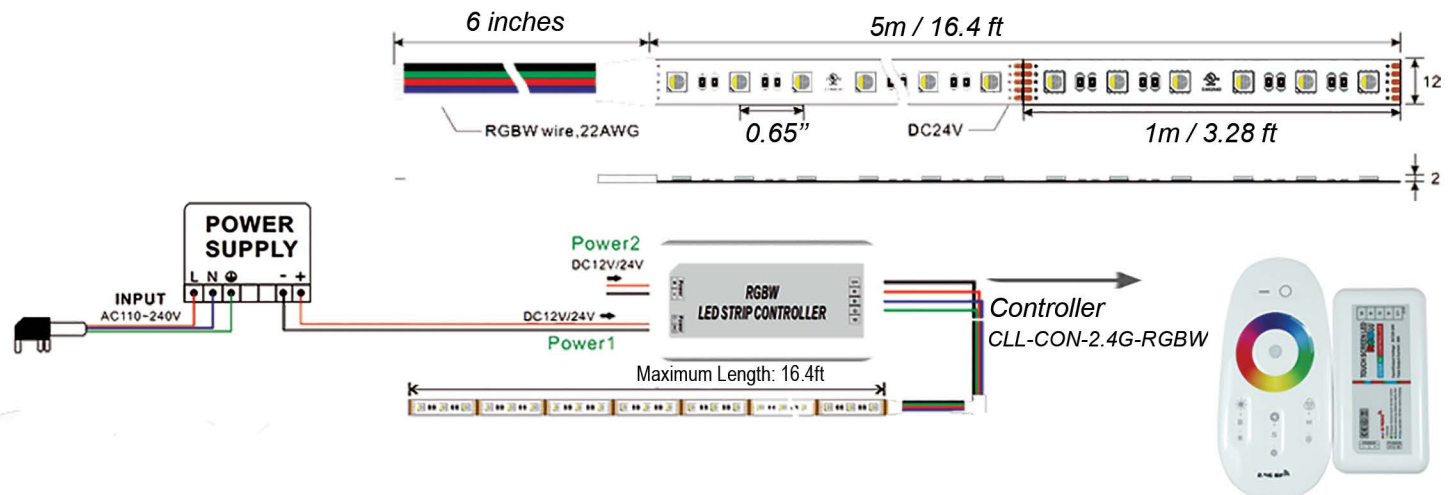


The 5050FX60-RGBWW series is a flexible LED strip lights that is the perfect solution for a wide variety of architectural and accent lighting applications including cove lighting, under-cabinet lighting, back-lighting, pathway lighting and decorative lighting. Our flexible LED strip lights are made with a factory soldered lead on one end of a 16.4' reel that allowing you to cut pieces to the exact length that you need. We offer 12mm, 16.4 ft rolls with pin connectors in IP65.

FEATURES

- * LED count: 60 per meter (18 per foot)
- * Suggested driver: Meanwell LPV-100-24
- * Lumens : 88 lm - 8360 LU per roll (white @2700K)
- * Rolls are 5m / 16.4ft. 12mm width (IP65)
- * Working hour 50,000 hours
- * SMD LED spacing: 0.65"- 16.6 mm
- * PCB Width 12mm
- * Best Color Consistency (SDCM<3)
- * Color temperature with 80 >CRI
- * Double circuit board for better electric stability
- * Soldered free connector for convenient installation
- * Suggested controller: CLL-CON-2.4G-RGBW 5 channel controller

WIRING



WARRANTY & DETAILS

- * Input voltage: DC 24V
- * Energy grade A
- * Power Consumption: 19 watts per meter (3.3ft)
- * Illumination Angle 120°
- * IP65 - Silicone Sleeve
- * Tested in accordance with IESNA LM 80
- * UL Listed
- * 3-year warranty
- * Lead free technology (ROHS)

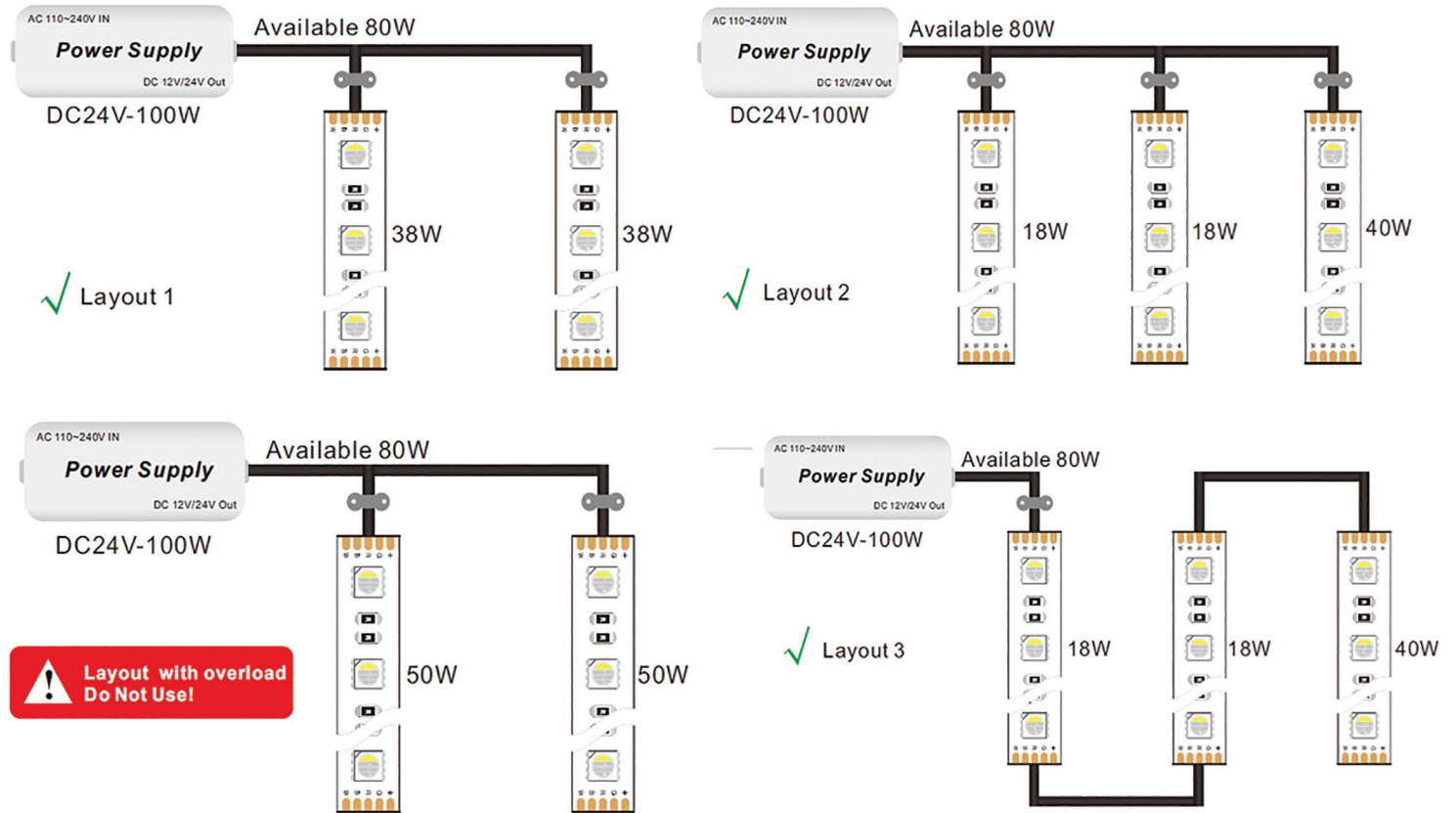
ORDERING INFORMATION

PART #	LED	Lumens per watt	POWER	Lumens per roll
ALS-5050FX60-19RGBWW-IP65	RGBWW	88 lm	5.79W/ FT - 95W/roll	8360 LU



Note: Always check the wattage of your LED strip. Available Wattage= Power supply x 0.8

LAYOUT OPTIONS



PHOTOMETRIC DATA

