

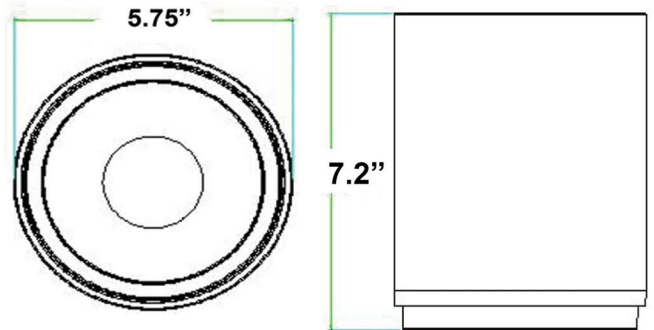


This black pendant light is a modern streamlined cylinder built with premium LED's to be durable and efficient. This surface / pendant cylinder light is perfect for indoor / outdoor perimeter and area lighting. It has a die cast aluminum housing and a PC lens. Multiple mounting options make this cylinder extremely versatile whether in either surface or pendant hung applications. This light comes fully adjustable with a kelvin selectable switch located inside allowing to switch between 2700K, 3000K, 3500K and 4000K. They are also wattage selectable 21W, 28W, 35W and beam angle adjustable

FEATURES

- * Tunable CCT 27K, 3K, 35K and 4K
- * Lumens: Lu/W:86/ 27K; 96.5 / 3K; 107 / 35K; 102/ 4K
- * Wattage selectable: 21W, 28W, 35W
- * Weled Power Driver - COB LED
- * 0-10/V dimming capability is standard
- * Long-life LEDs provide 50,000 hours of operation
- * Universal 120-347 AC voltage (50-60Hz) is standard
- * Power factor > 0.90
- * Working temperature : -40 F - 122 F
- * Beam Angle: adjustable (30 /40 /50 /60)
- * Total harmonic distortion < 20%
- * Color rendering index > 80
- * Die cast aluminum housing with dark black, powder coat finish.
- * PC lens.
- * Easy installation for new construction or retrofit

DIMENSIONS



WARRANTY & DETAILS

- * UL listed
- * IP 40 rated damp conditions
- * 5-year warranty on all electronics and housing

MOUNTING

* This light come standard with a 12FT of black SO cord and connectors so it can be hung like a pendant. It can also be surface mounted.

ORDERING INFORMATION

PART #	ColorTemp	Lumens	Selectable wattage	Voltage
AST-CLD-35WAS6C1-BH	CCT 27K/3K/35K/4K	1806-3745	21W, 28W, 35W	120-347V

