

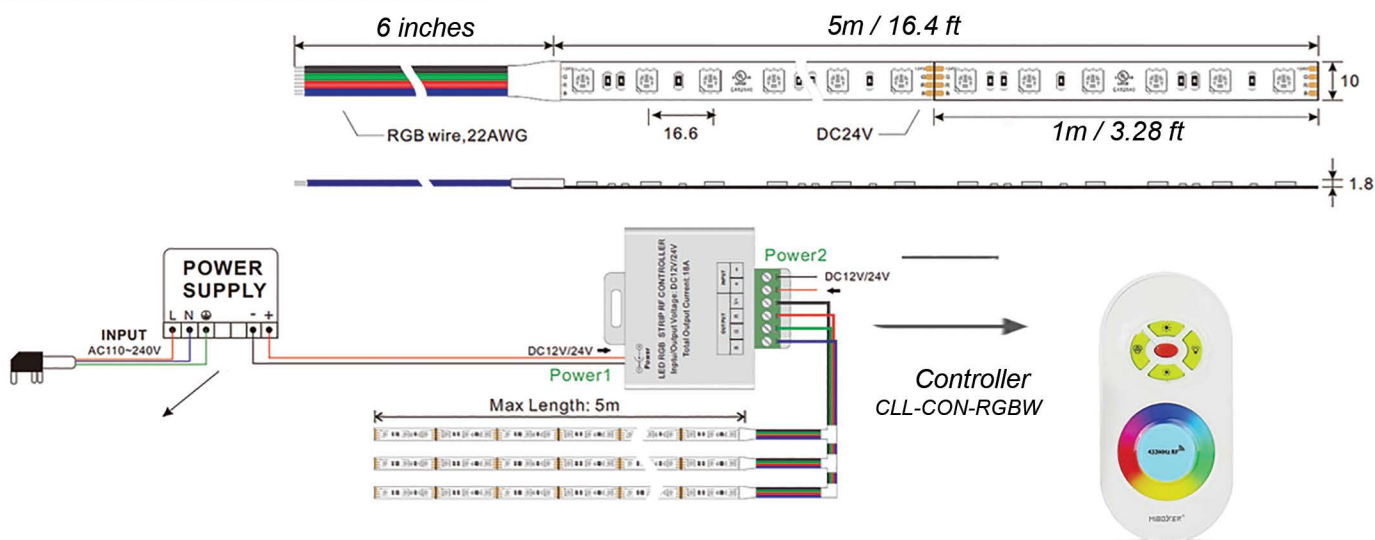


The 5050FX60 RGB series is a flexible LED strip lights that is the perfect solution for a wide variety of architectural and accent lighting applications including cove lighting, under-cabinet lighting, back-lighting, pathway lighting and decorative lighting. Our flexible LED strip lights are made with a factory soldered lead on one end of a 16.4' reel that allowing you to cut pieces to the exact length that you need. We offer 10mm, 16.4 ft rolls with 4 pin connectors available in IP65 and IP20 depending on your application.

FEATURES

- * LED count: 60 per meter (18 per foot)
- * Suggested driver: Meanwell LPV-100-24
- * Luminous flux / LED : 32 lm - 1920 LU per roll
- * Rolls are 5m / 16.4ft. 12mm width (IP65), 10mm (IP20)
- * Working hour 50,000 hours
- * SMD LED spacing: .65"- 16.6 mm
- * PCB Width 10mm
- * Best Color Consistency (SDCM<3)
- * Color temperature with 80 >CRI
- * Double circuit board for better electric stability
- * Soldered free connector for convenient installation
- * Suggested controller: CLL-CON-RGBW

WIRING



WARRANTY & DETAILS

- * Input voltage: DC 24V
- * Energy grade A
- * Power Consumption: 12 watts per meter (3.3ft)
- * Illumination Angle 120°
- * IP65 - Silicone Sleeve
- * Tested in accordance with IESNA LM 80
- * UL Listed
- * 3-year warranty
- * Lead free technology (ROHS)

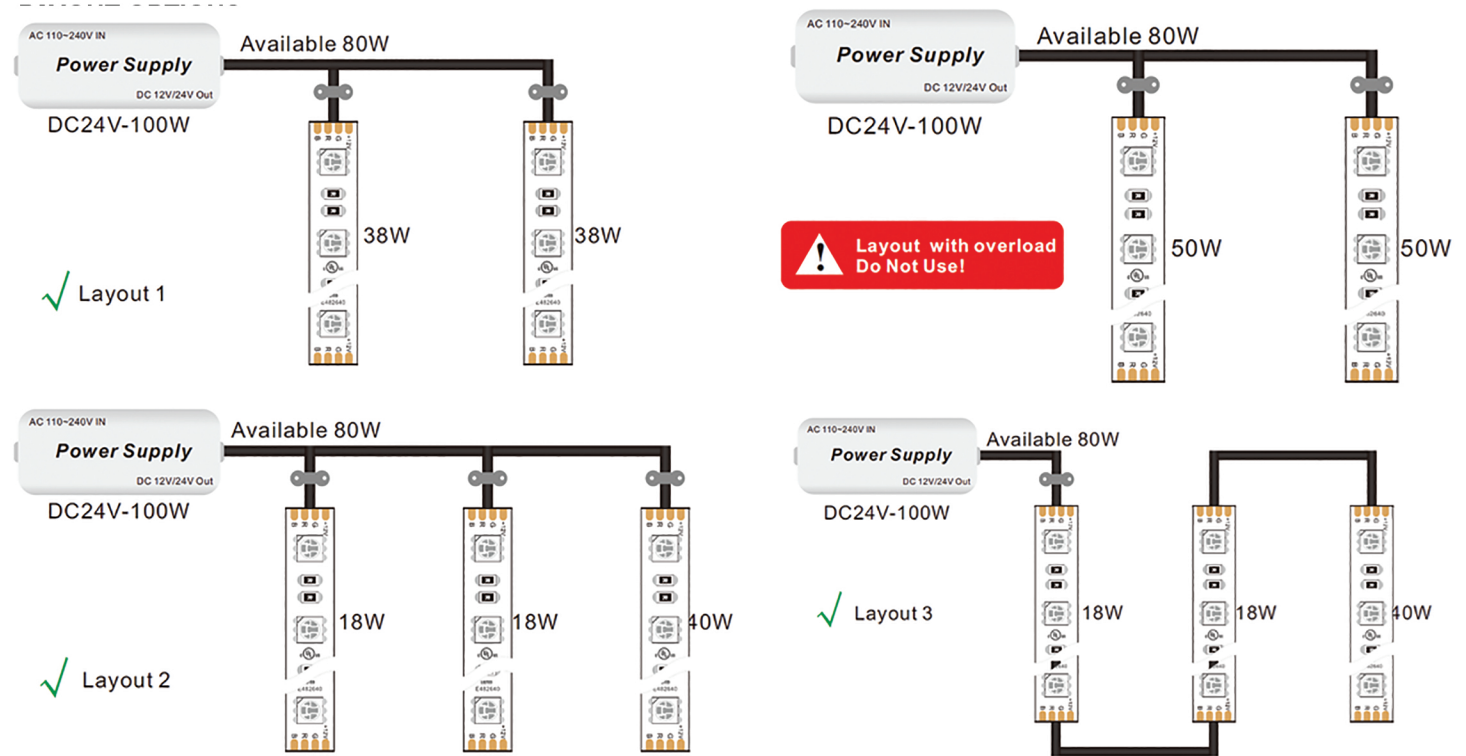
ORDERING INFORMATION

| PART # | LED | Lumens per watt | POWER | Lumens per roll |
|-----------------------|-----|-----------------|----------------------|-----------------|
| ALS-5050FX60-RGB-IP65 | RGB | 32 lm | 3.66W/ FT – 60W/roll | 1920 LU |
| ALS-5050FX60-RGB-IP20 | RGB | 32 lm | 3.66W/ FT – 60W/roll | 1920 LU |



Note: Always check the wattage of your LED strip. Available Wattage= Power supply x 0.8

LAYOUT OPTIONS



PHOTOMETRIC DATA

