

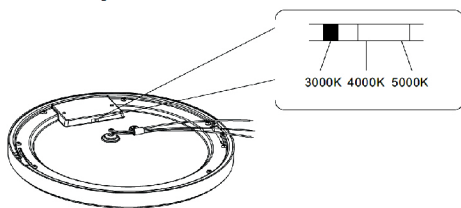


This integrated LED surface mount down light is a ultra-thin sleek fixture with smooth white trim. It can be installed directly to most round or octagon junction boxes. Designed for commercial or residential use. CCT can be adjusted in the field to suit different environment needs.

FEATURES

- * 3 CCT Selectable: 3000K,4000K,5000K
- * Wattage: 15W
- * 120VAC 60Hz
- * Triac dimmable
- * Beam angle: 120 degrees
- * Protection rating: IP20 for indoor use only
- * CRI: > 80
- * Power factor: 0.9
- * Finish: white

CCT Adjustable



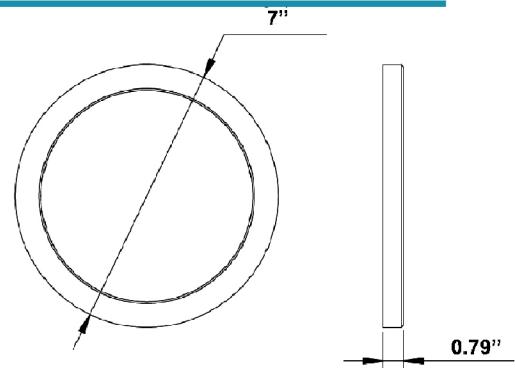
ORDERING INFORMATION

PART #	WATTAGE	VOLTAGE
HY-SMD-R7-15W-3CCT	15W	AC 120 VAC-60Hz

WARRANTY & DETAILS

- * ETL listed
- * Working temperature: -4 F to 105 F
- * 5 year warranty

DIMENSIONS



PHOTOMETRIC DATA

